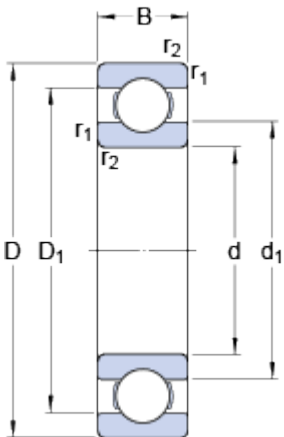


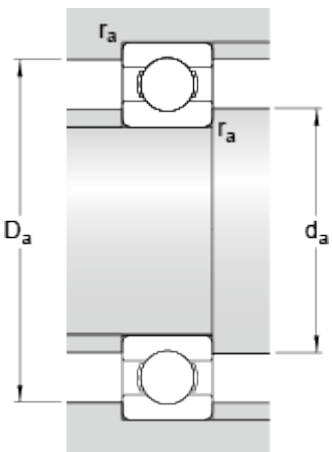
63/22

Dimensions



d	22	mm
D	56	mm
B	16	mm
d_1	≈ 32.9	mm
D_1	≈ 45.3	mm
$r_{1,2}$	min. 1.1	mm

Abutment dimensions



d_a	min. 29	mm
D_a	max. 47	mm
r_a	max. 1	mm

Calculation data

Basic dynamic load rating	C	18.6	kN
Basic static load rating	C_0	9.3	kN
Fatigue load limit	P_u	0.39	kN
Reference speed		28000	r/min
Limiting speed		18000	r/min
Calculation factor	k_r	0.03	
Calculation factor	f_0	12.4	

Mass

Mass bearing	0.18	kg
--------------	------	----