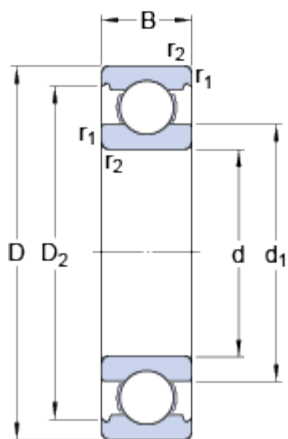




# 6019

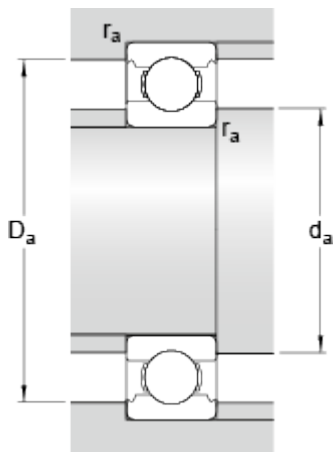
Popular item  
SKF Explorer

## Dimensions



d	95	mm
D	145	mm
B	24	mm
d <sub>1</sub>	≈ 111.4	mm
D <sub>2</sub>	≈ 133.3	mm
r <sub>1,2</sub>	min. 1.5	mm

## Abutment dimensions



d <sub>a</sub>	min. 102	mm
D <sub>a</sub>	max. 138	mm
r <sub>a</sub>	max. 1.5	mm

## Calculation data

Basic dynamic load rating	C	63.7	kN
Basic static load rating	C <sub>0</sub>	54	kN
Fatigue load limit	P <sub>u</sub>	2.08	kN
Reference speed		9500	r/min
Limiting speed		6000	r/min
Calculation factor	k <sub>r</sub>	0.025	
Calculation factor	f <sub>0</sub>	15.8	

## Mass

Mass bearing		1.21	kg
--------------	--	------	----