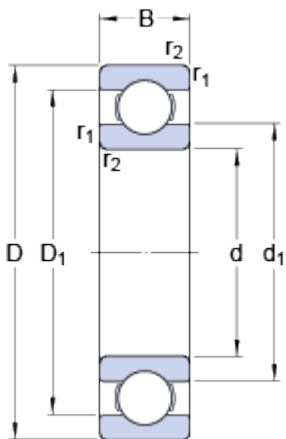


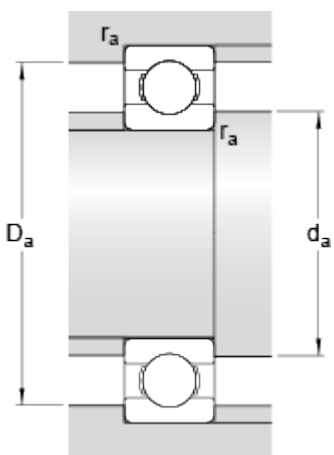
61919

Dimensions



d	95	mm
D	130	mm
B	18	mm
d_1	≈ 106.4	mm
D_1	≈ 118.7	mm
$r_{1,2}$	min. 1.1	mm

Abutment dimensions



d_a	min. 101	mm
D_a	max. 124	mm
r_a	max. 1	mm

Calculation data

Basic dynamic load rating	C	33.8	kN
Basic static load rating	C_0	33.5	kN
Fatigue load limit	P_u	1.34	kN
Reference speed		10000	r/min
Limiting speed		6300	r/min
Calculation factor	k_r	0.02	
Calculation factor	f_0	16.5	

Mass

Mass bearing	0.61	kg
--------------	------	----