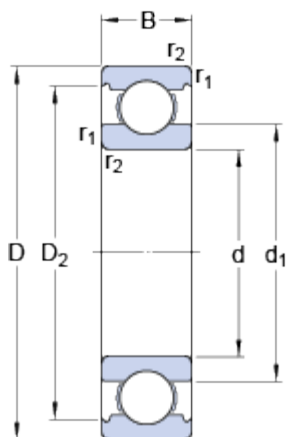


6319

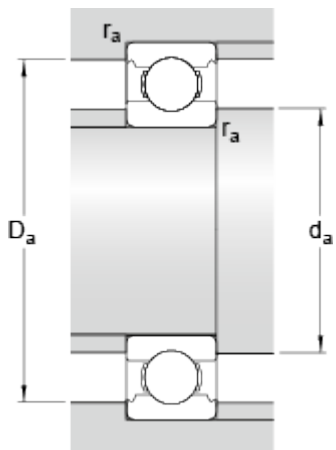
Popular item
SKF Explorer

Dimensions



d	95	mm
D	200	mm
B	45	mm
d ₁	≈ 127.7	mm
D ₂	≈ 171.9	mm
r _{1,2}	min. 3	mm

Abutment dimensions



d _a	min. 109	mm
D _a	max. 186	mm
r _a	max. 2.5	mm

Calculation data

Basic dynamic load rating	C	159	kN
Basic static load rating	C ₀	118	kN
Fatigue load limit	P _u	4.15	kN
Reference speed		7000	r/min
Limiting speed		4500	r/min
Calculation factor	k _r	0.03	
Calculation factor	f ₀	13.3	

Mass

Mass bearing		5.75	kg
--------------	--	------	----